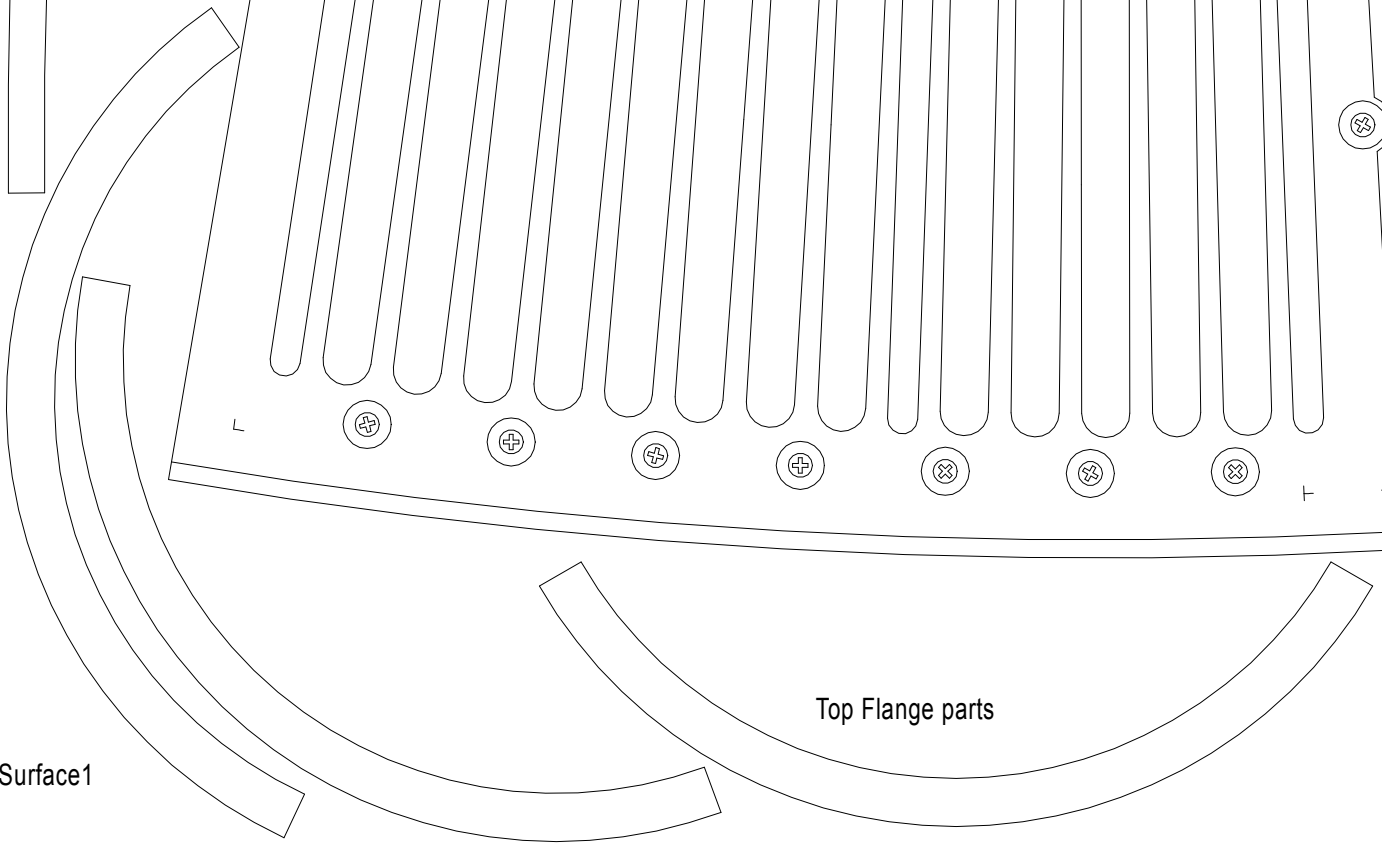
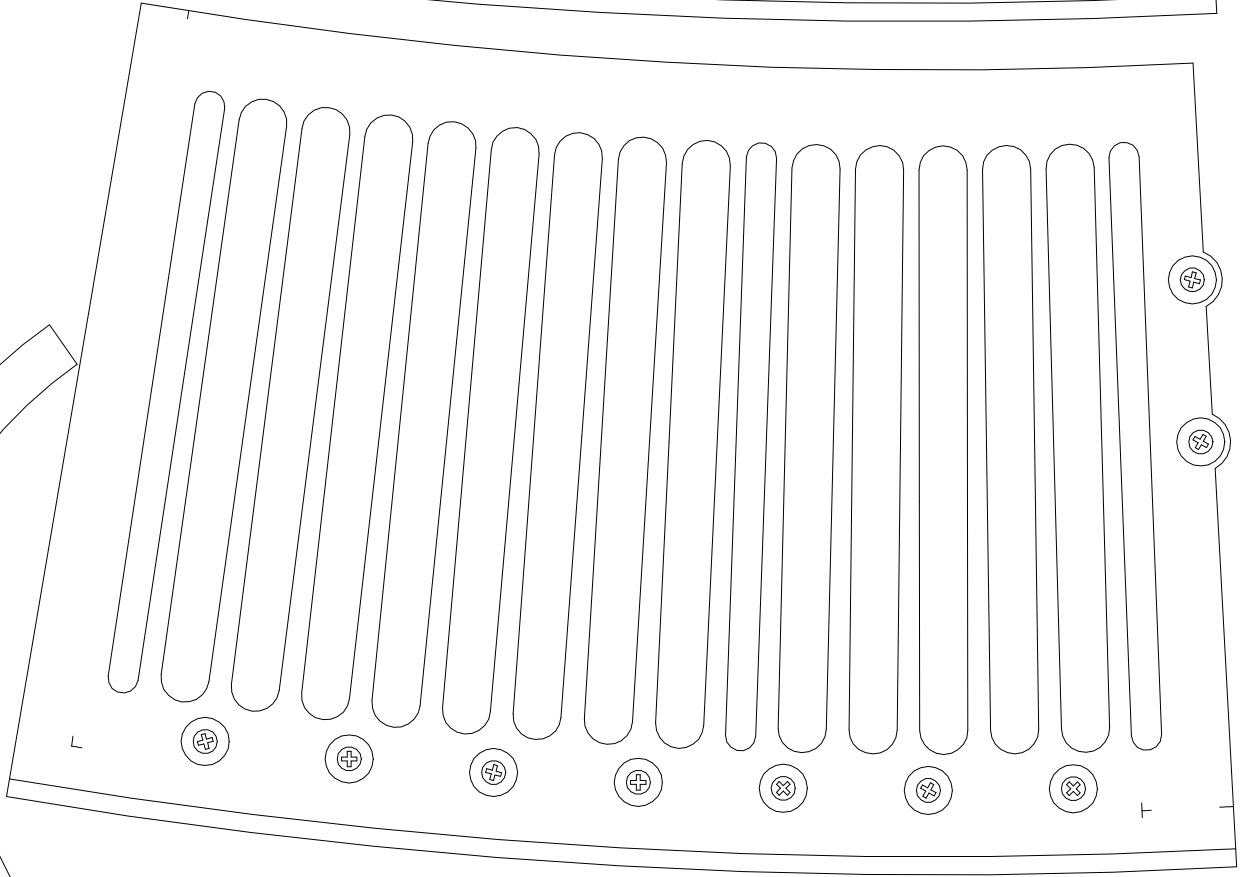
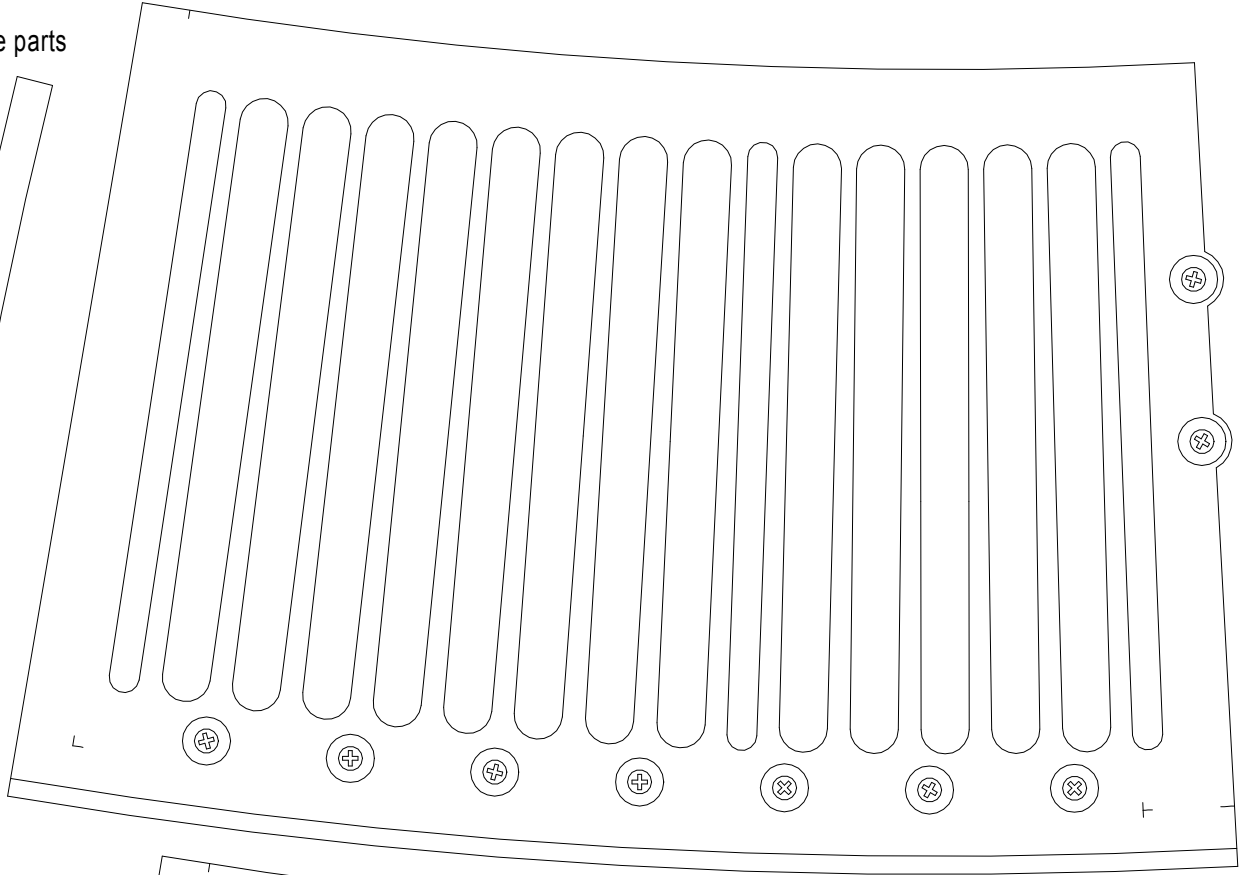
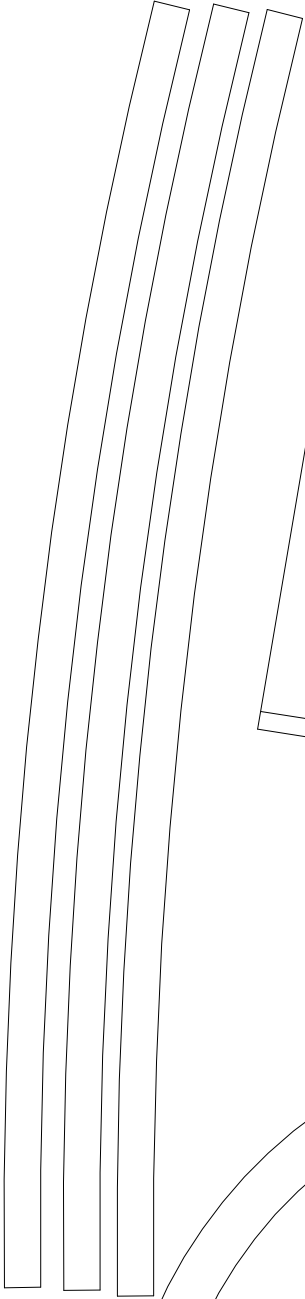


Top Flange parts



Top Flange parts

Card_Surface1