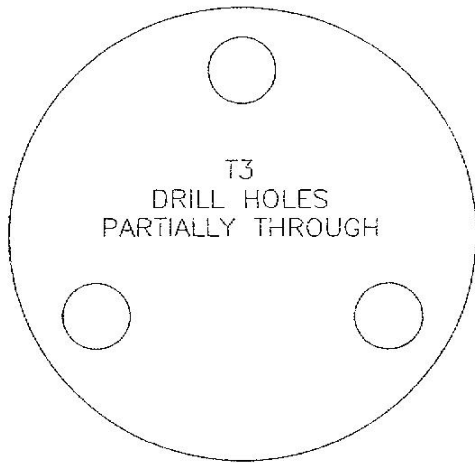
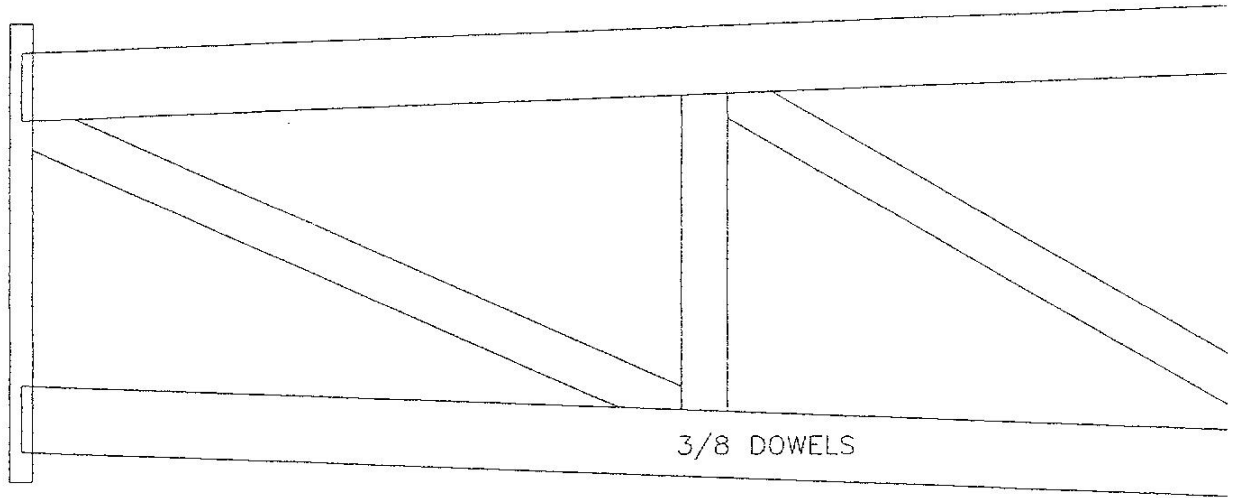
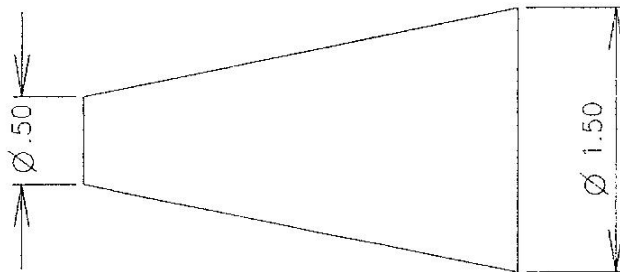
	AeroVentures Ind. Stuart, FL 34997	
	MRT02	
Date: 8/15/96	Scale: FULL	

T3



1/8 X 1/4  
FOR COVER  
SAND TO SI

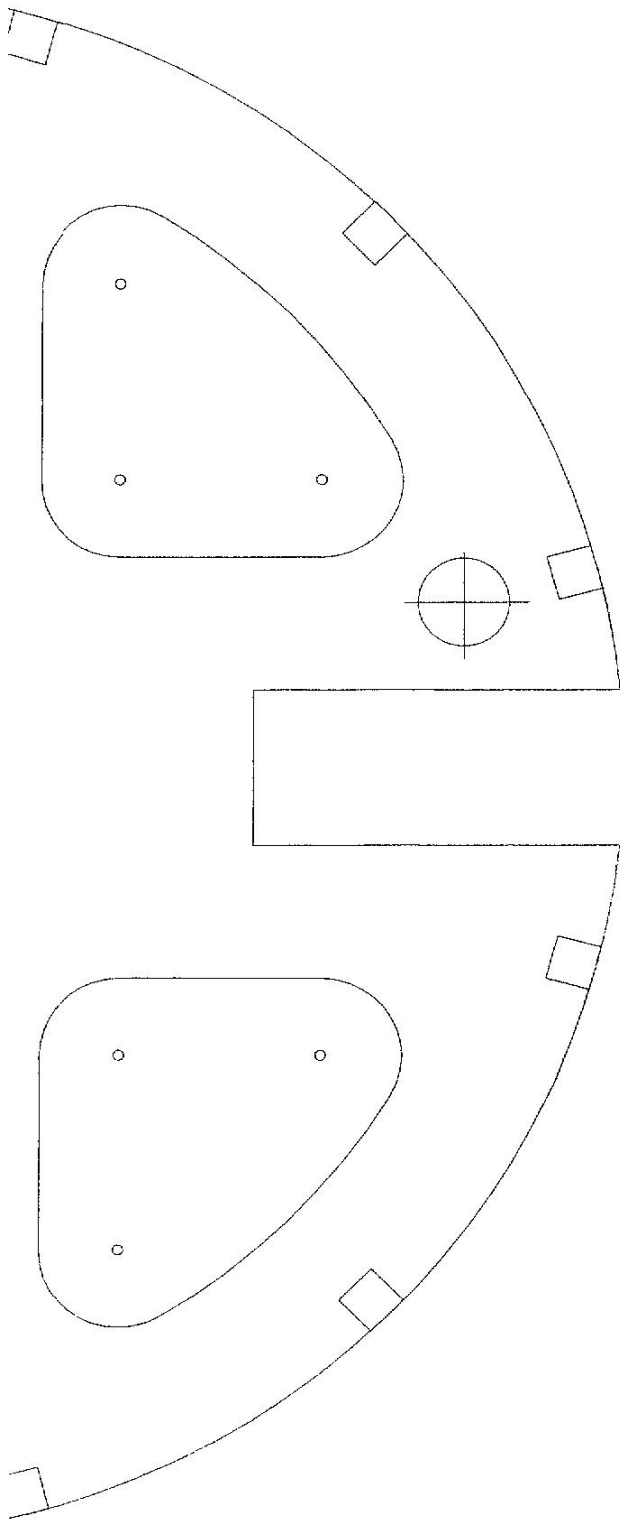
CARVE FROM BALS



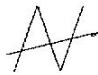
MRT $\varnothing$ 2

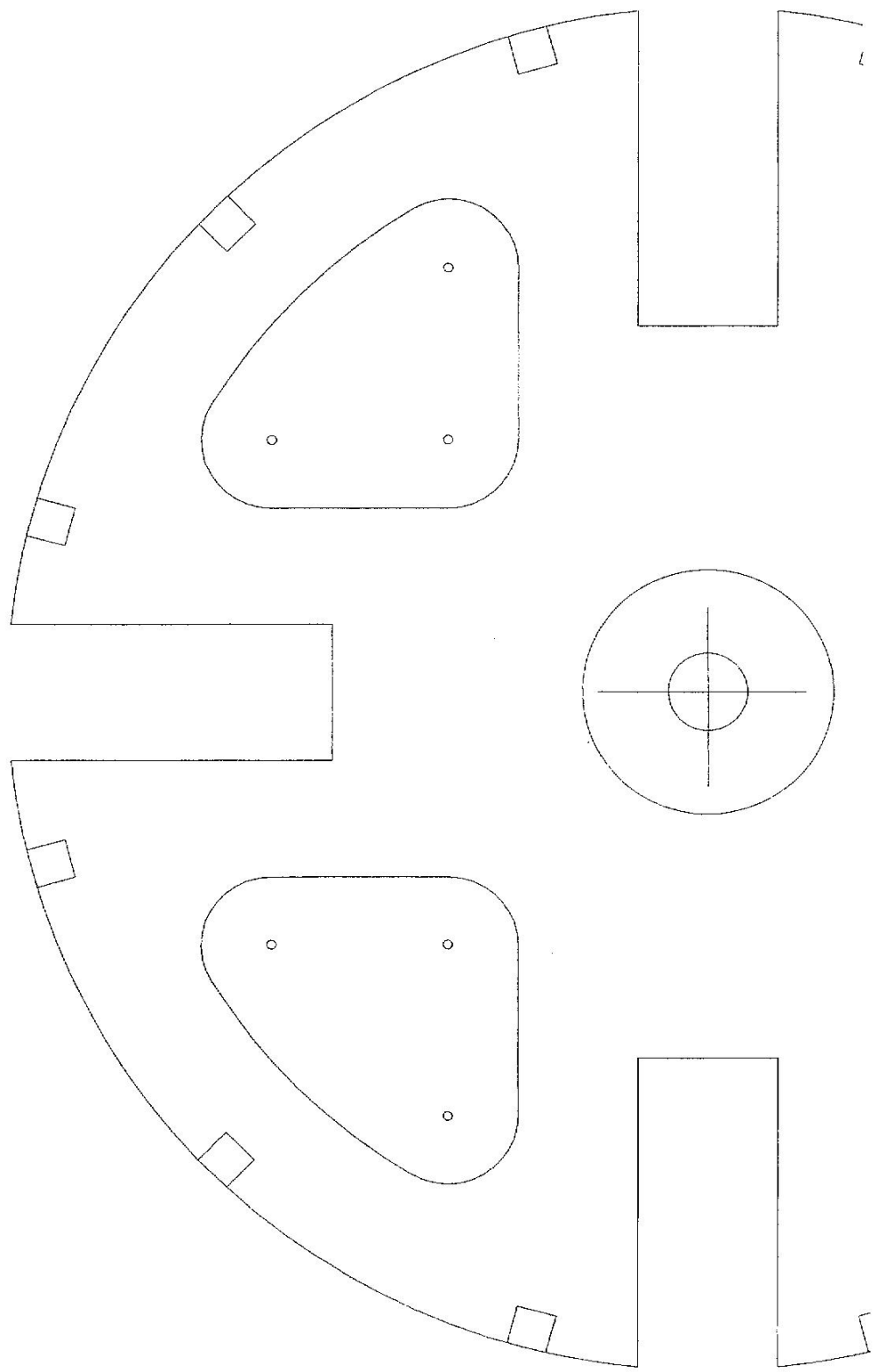
BALSA NOZZLE  
3 REQUIRED

5

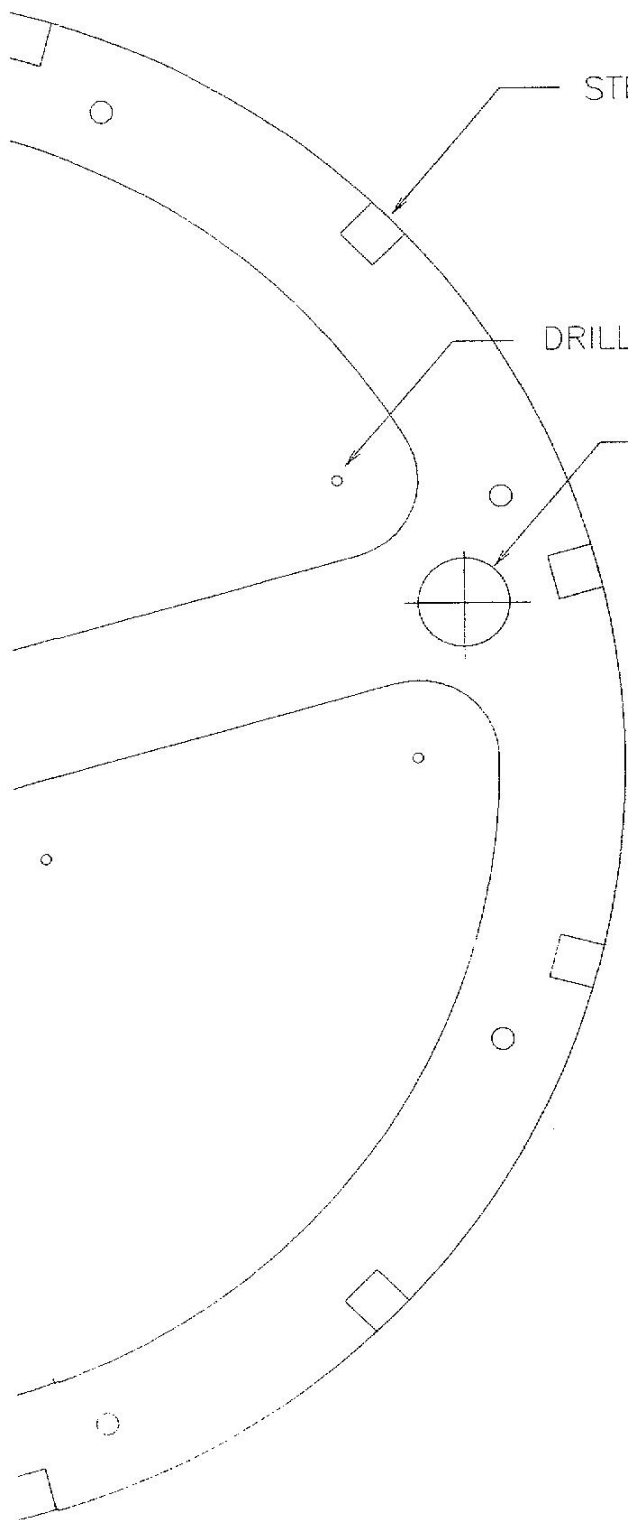


- Bulkheads F1 and F2
- F1 is 1/4 ply or two 1/8 pieces glued together
- F2 is 1/8 ply

	AeroVentures Ind. Stuart, FL 34997
MRB01	
Date: 8/15/96	Scale: FULL



MRBØ1



STRINGER LOCATIONS (1/4 x 1/4 BALSA)

DRILL CENTER (7/8 WOOD BORE)

LAUNCH ROD HOLE (1/2 )

- Bulkhead F3
- 6 required, 1/8 ply



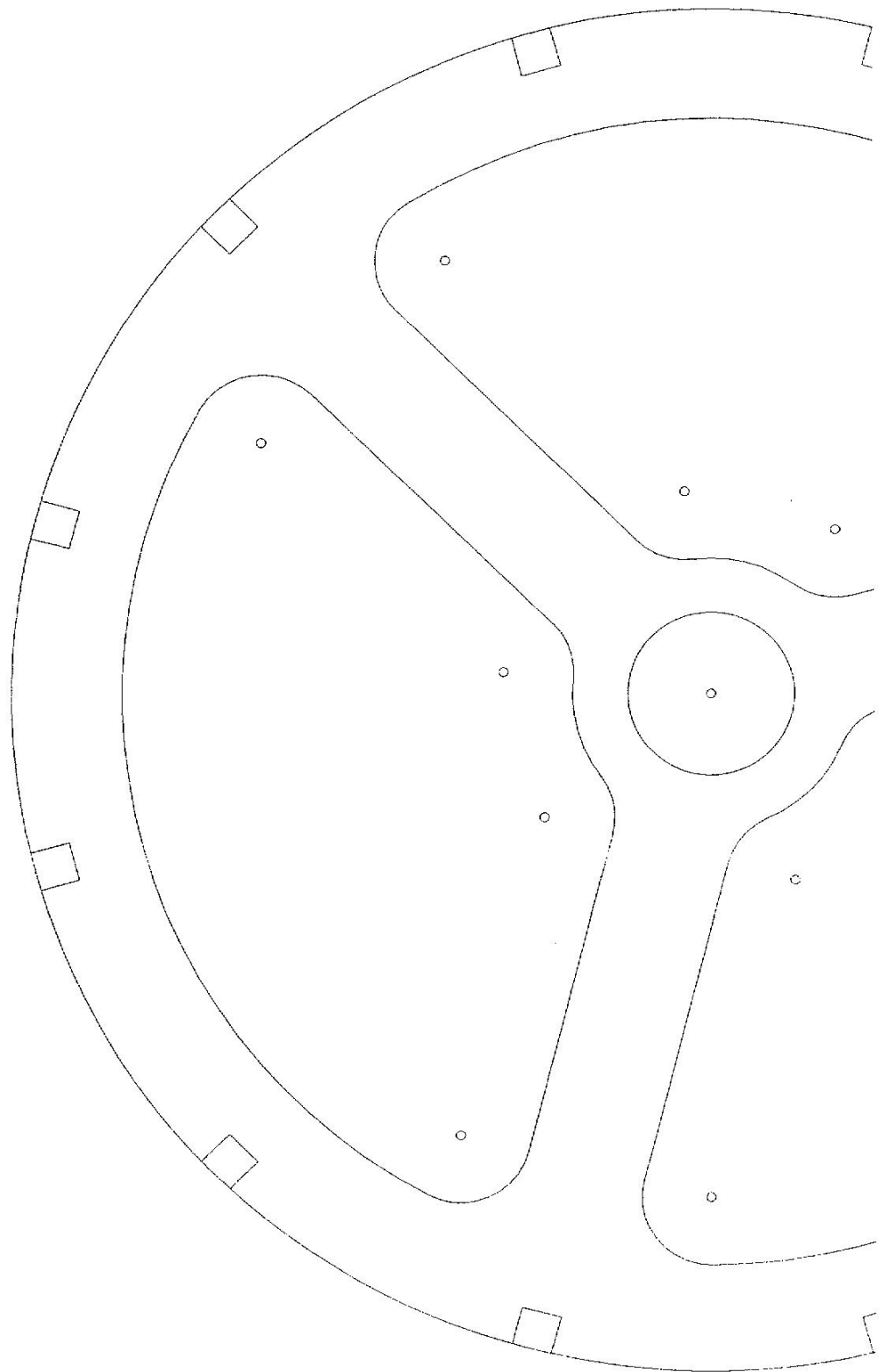
AeroVentures Ind.

Stuart, FL 34997

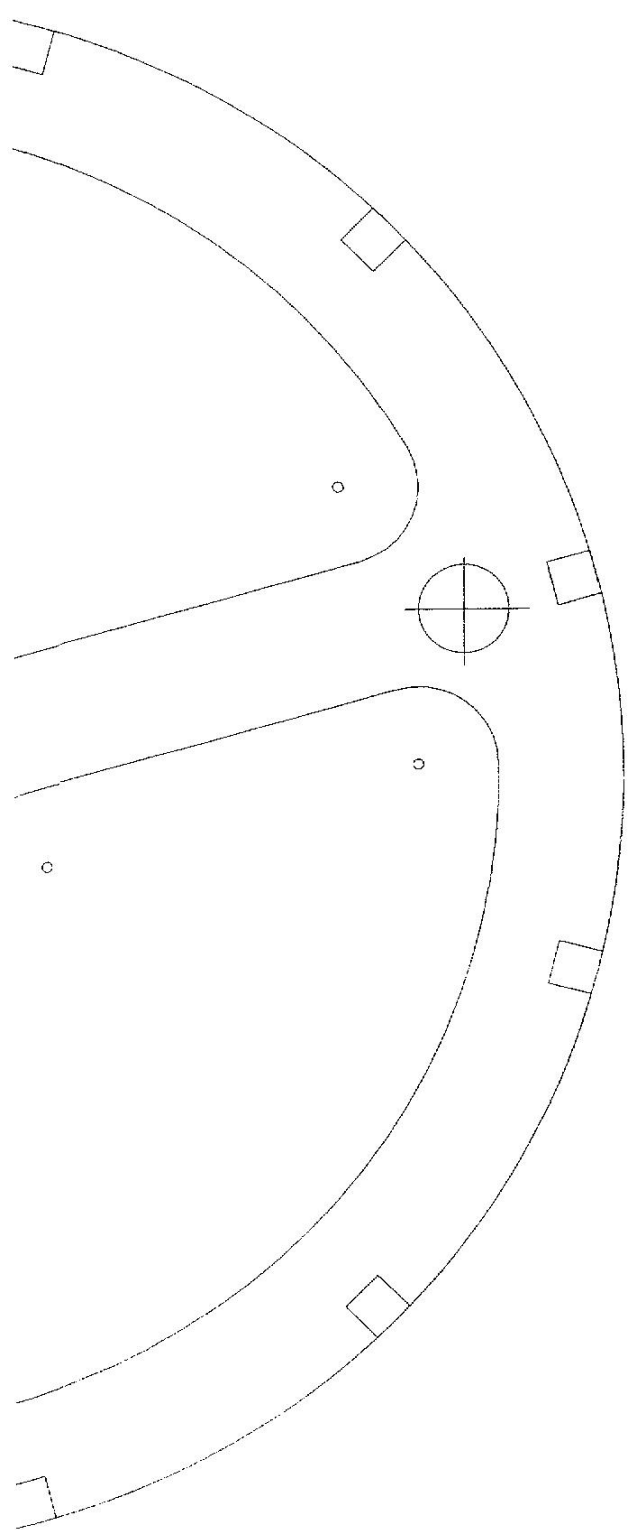
MRB03

Date: 8/15/96


Scale: FULL

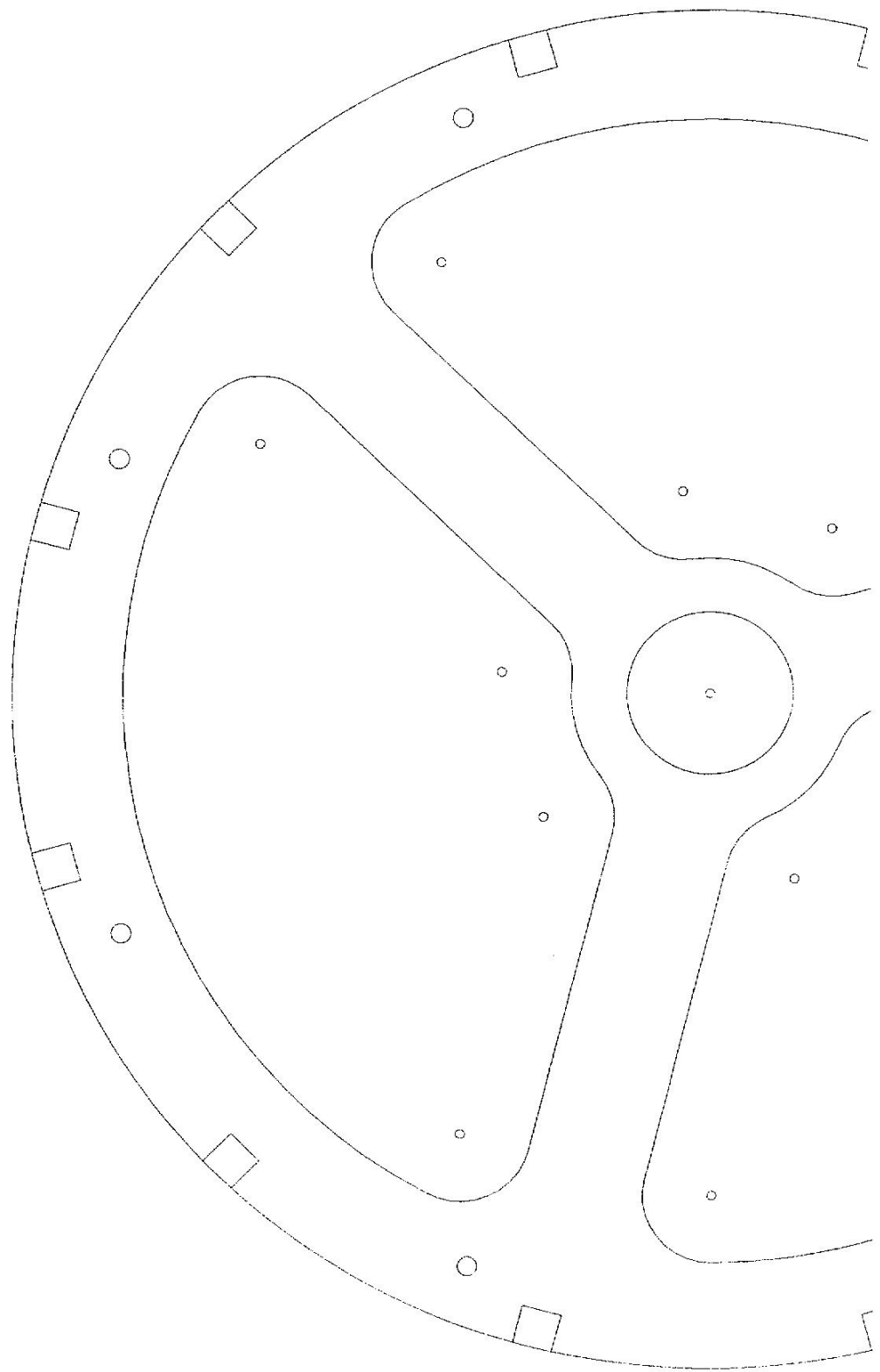


MRB03



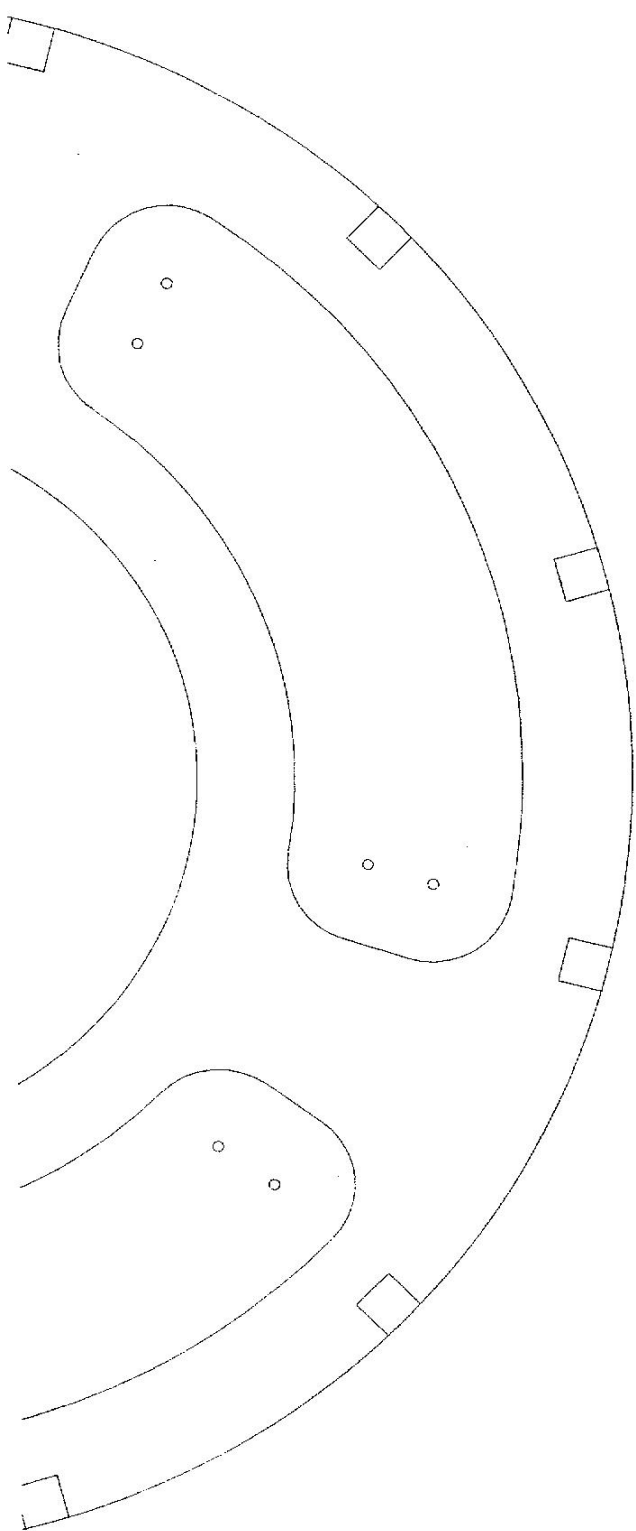
- Bulkhead F4
- 4 required, 1/8 ply

	AeroVentures Ind. Stuart, FL 34997
MRB04	
Date: 8/15/96	Scale: FULL




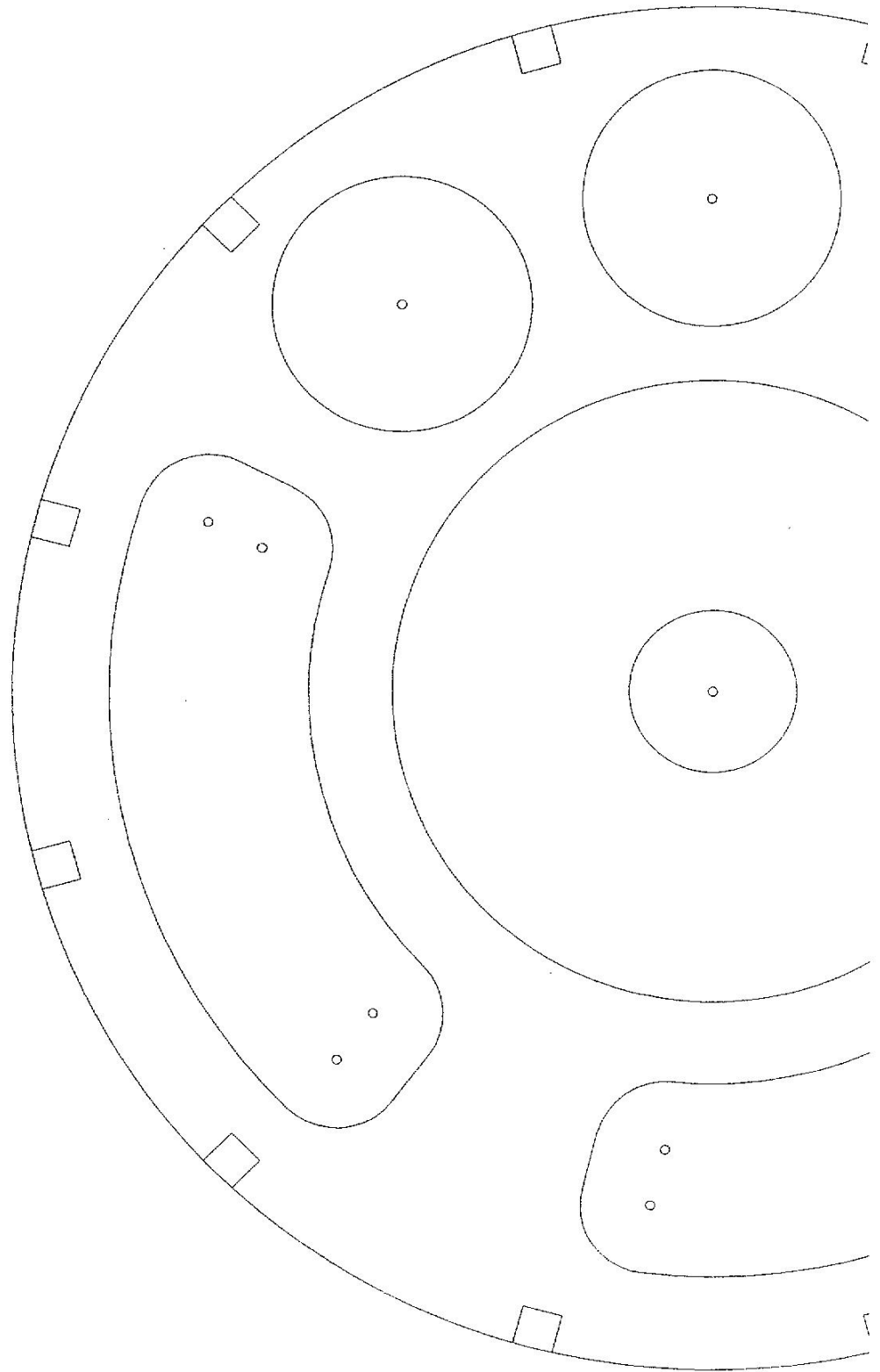
MRB04



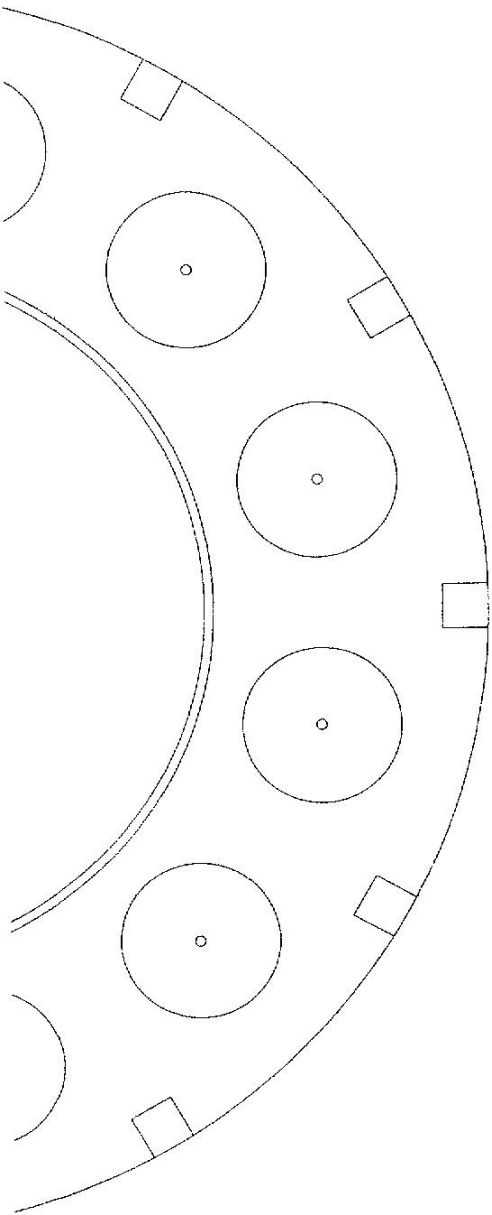


- Bulkhead F5
- 2 required 1/8 ply

	AeroVentures Ind. Stuart, FL 34997
MRB05	
Date: 8/15/96	Scale: FULL



MRB05



- Capsule bulkhead C3
- 1 required 1/8 ply

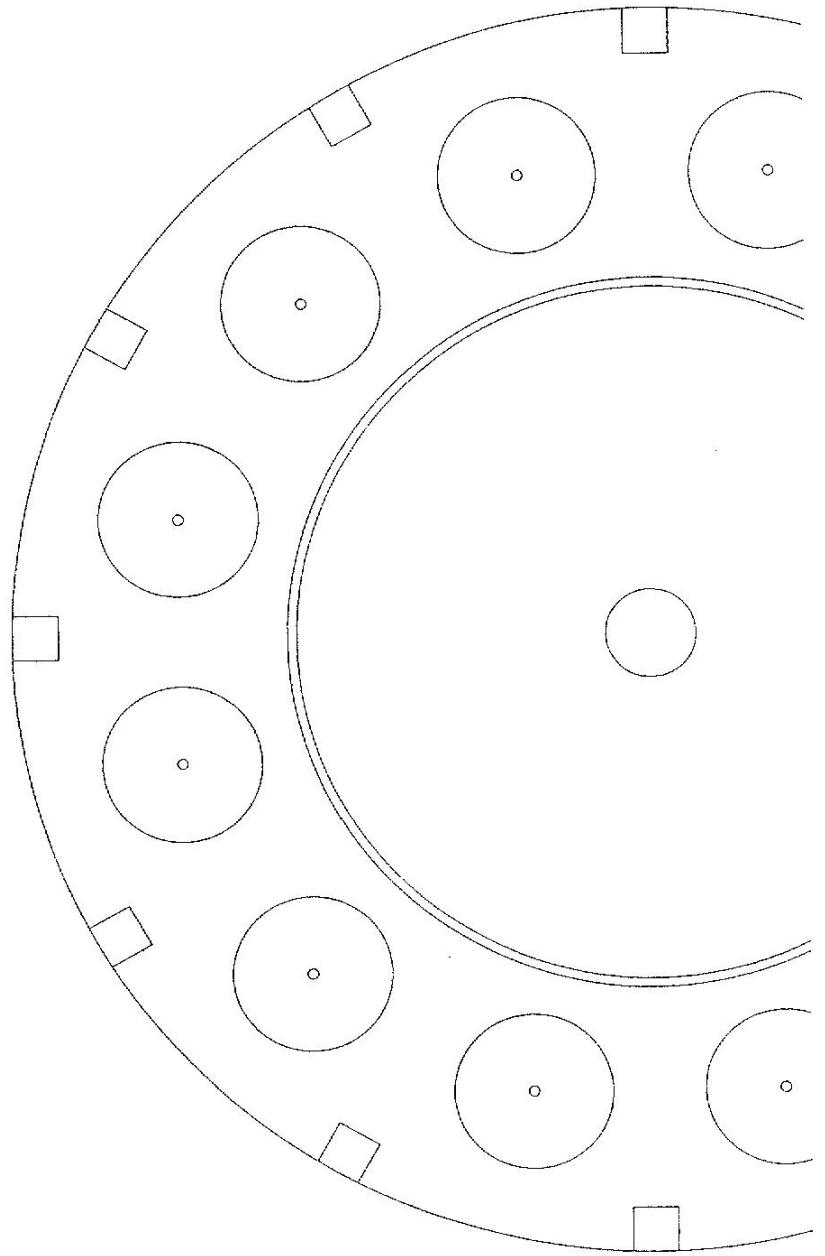


AeroVentures Ind.  
Stuart, FL 34997

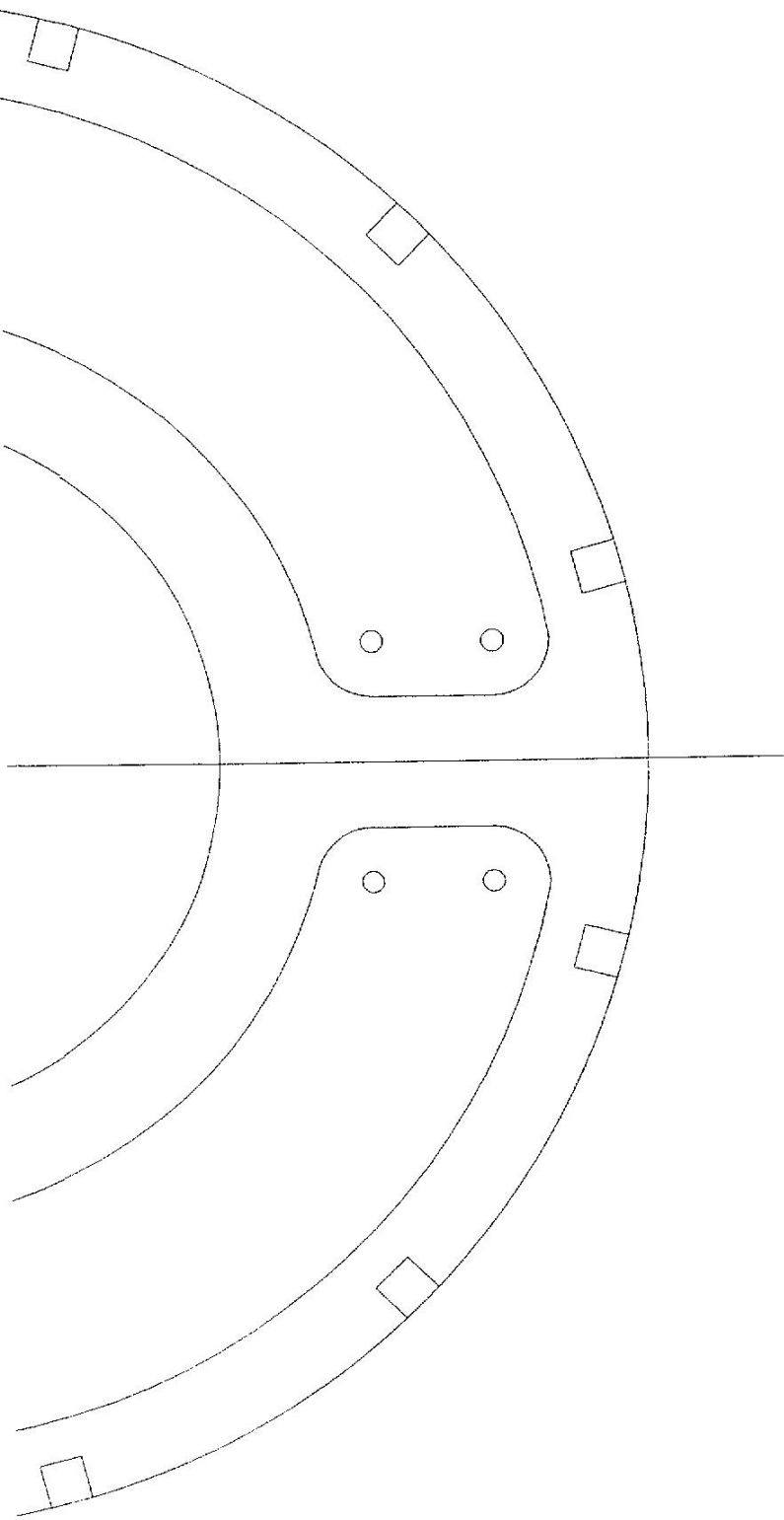
MRC03

Date: 8/15/96


Scale: FULL

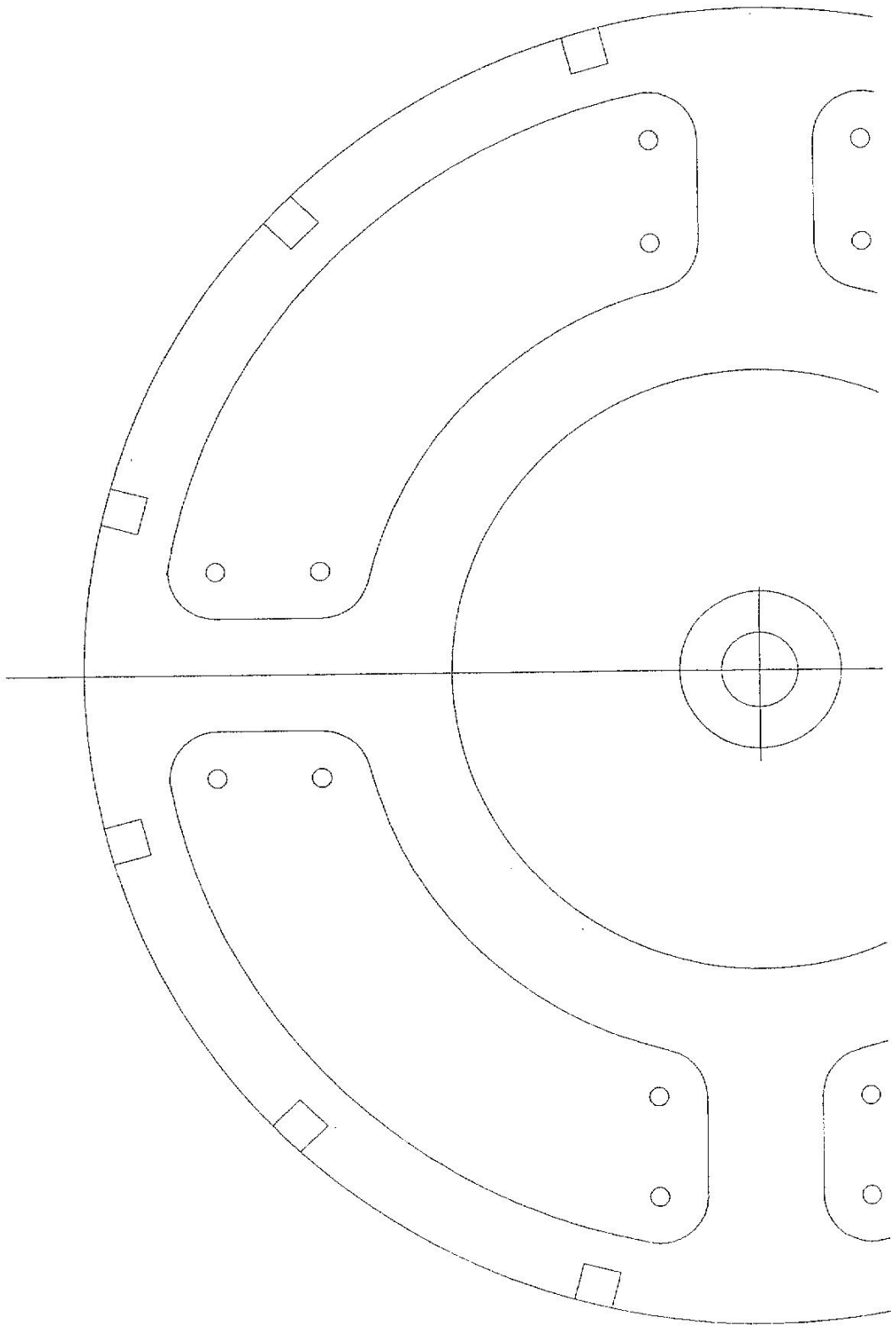


MRCφ3



- Capsule bulkhead C2
- 1 required 1/8 ply

	AeroVentures Ind. Stuart, FL 34997	
	MRC02	
Date: 8/15/96	Scale:	FULL



MRC  $\phi$  2