

X-40A WING SCALING

PHOTO 1 (REF = 18.75)

- $\alpha^1 = 10^\circ$
- $\alpha^2 = 50^\circ$
- $C_1 = .053 R$
- $C_2 = .34 R$
- $C_3 = .035$
- $C_4 = .165 R$
- $S = .173 R$

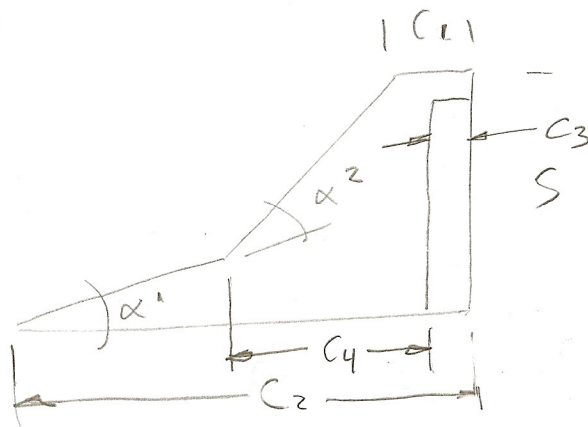


PHOTO 2

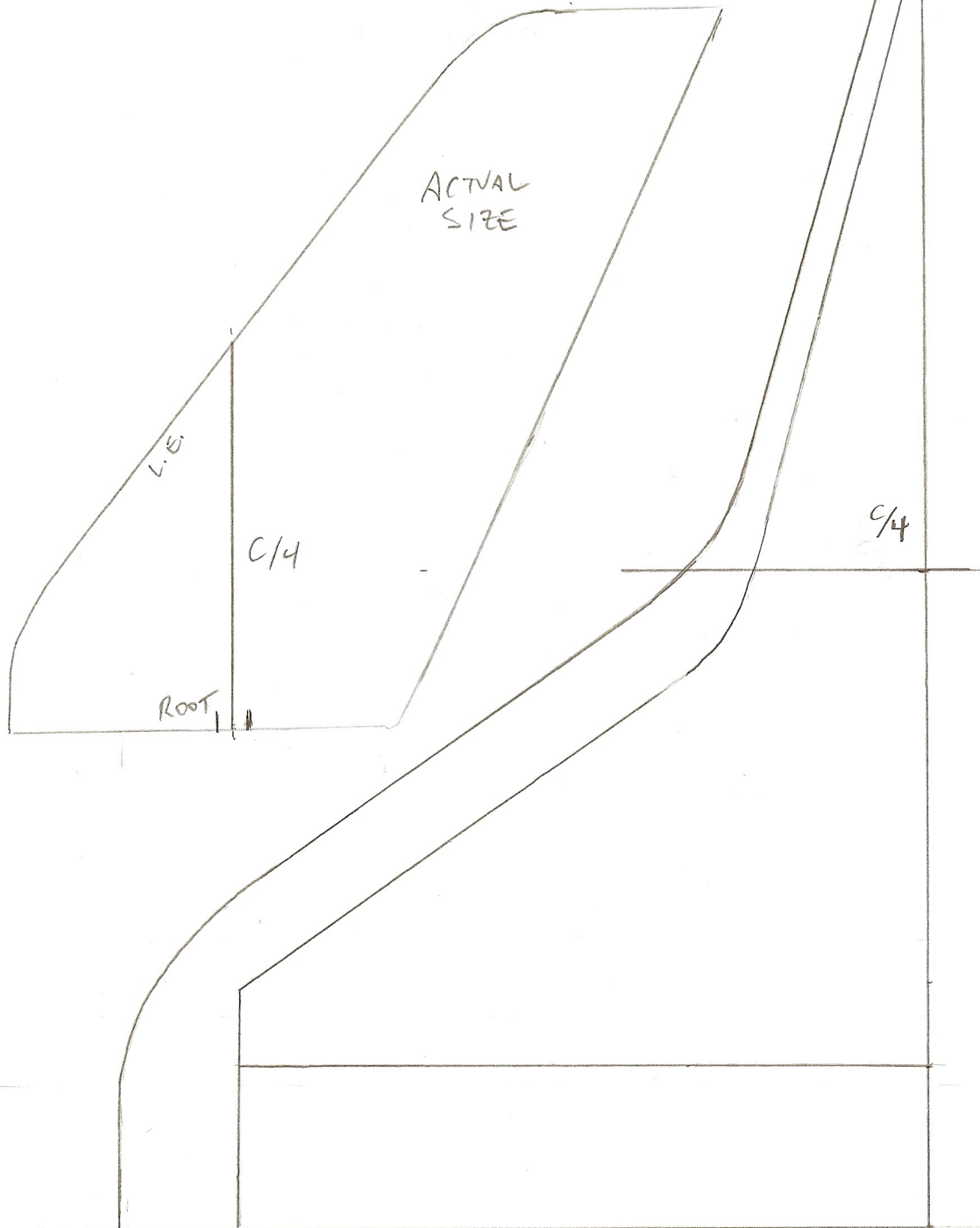
- $C_2 = .35 R$
- $C_3 = .039 R$

PHOTO 3

- $C_2 = .34 R$

MODEL DIMENSIONS (in)

- $R = 23.8$
- $C_1 = 1.26$
- $C_2 = 8.25$
- $C_3 = .93$
- $C_4 = 3.9$
- $S = 4.78$



15" MODEL WING SCALED 125%